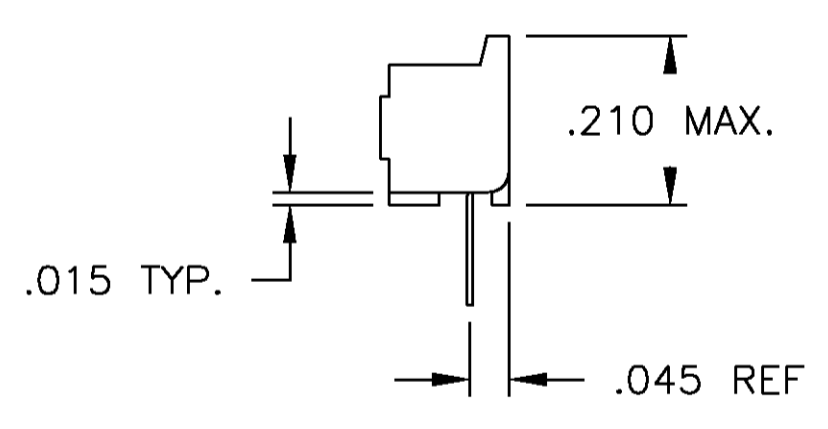
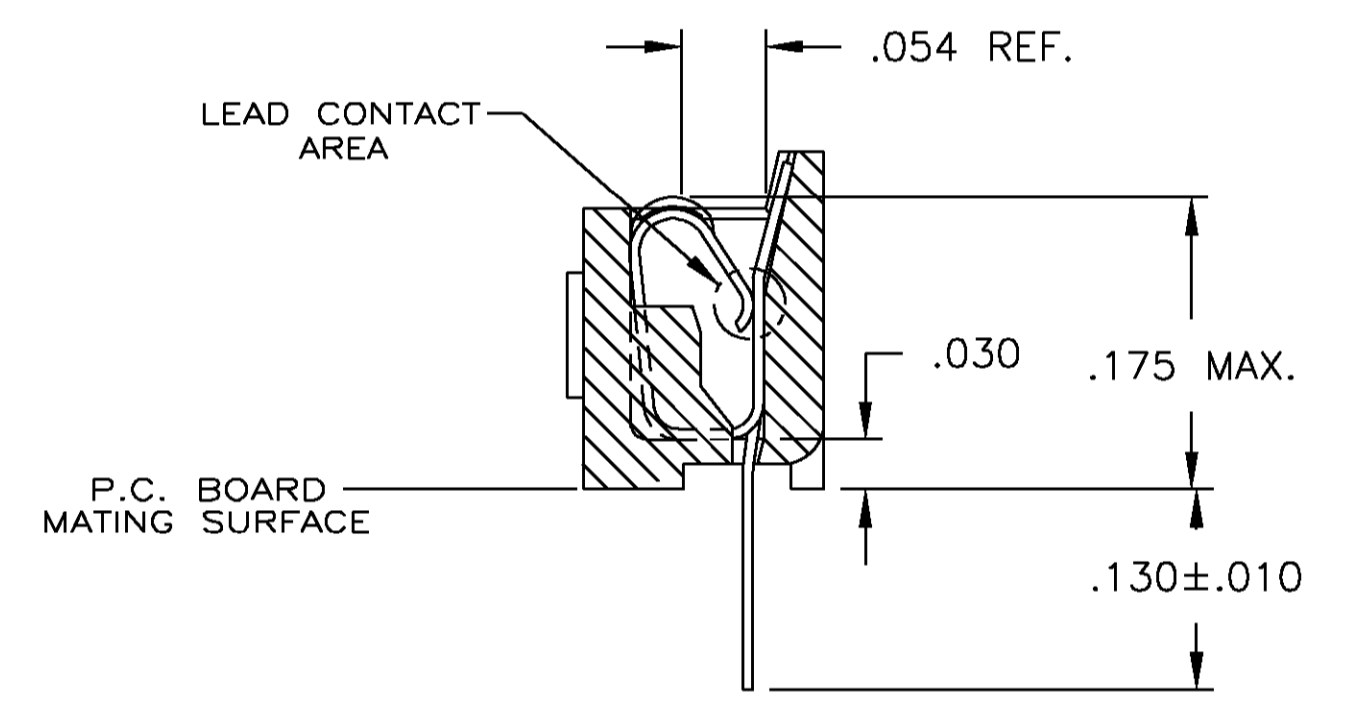


SECTION A-A  
ROTATED 90° CW  
SCALE 10:1  
FOR -6, -7 & -8 ONLY



- RECEPTACLE ACCEPTS AN .008-.014 THK. I.C. LEAD.
- TWO .000030 MIN. THK. GOLD STRIPES IN CONTACT AREA, TIN-LEAD(93-7) ON CONTACT LEGS, BALANCE OF CONTACT NICKEL PLATED.
- TWO .000015 MIN. THK. GOLD STRIPES IN CONTACT AREA, TIN-LEAD(93-7) ON CONTACT LEGS, BALANCE OF CONTACT NICKEL PLATED.



SECTION A-A  
ROTATED 90° CW  
SCALE 10:1  
FOR -1, -2 & -3 ONLY

CONTACT FINISH	CONTACT MAT'L	HOUSING MATERIAL	PART NO.	
TINNED	PHOS.BRZ.	GLASS-FILLED THERMOPLASTIC, 94V-0, BLACK	643642-8	
OBSOLETE	BE.CU.	GLASS-FILLED THERMOPLASTIC, 94V-0, BLACK	643642-7	
TINNED	BE.CU.	GLASS-FILLED THERMOPLASTIC, 94V-0, BLACK	643642-6	
SUPSD BY 643642-2	PHOS.BRZ.	GLASS-FILLED THERMOPLASTIC, 94V-0, BLACK	643642-4	
OBSOLETE	TINNED	PHOS.BRZ.	GLASS-FILLED THERMOPLASTIC, 94V-0, BLACK	643642-3
	BE.CU.	GLASS-FILLED THERMOPLASTIC, 94V-0, BLACK	643642-2	
TINNED	BE.CU.	GLASS-FILLED THERMOPLASTIC, 94V-0, BLACK	643642-1	

THIS DRAWING IS A CONTROLLED DOCUMENT.

<table border="1"> <thead> <tr> <th>DIMENSIONS:</th> <th>TOLERANCES UNLESS OTHERWISE SPECIFIED:</th> </tr> </thead> <tbody> <tr> <td>INCHES</td> <td></td> </tr> <tr> <td>0 PLC</td> <td>± .005</td> </tr> <tr> <td>1 PLC</td> <td>± .004</td> </tr> <tr> <td>2 PLC</td> <td>± .003</td> </tr> <tr> <td>3 PLC</td> <td>± .002</td> </tr> <tr> <td>4 PLC</td> <td>± .001</td> </tr> <tr> <td>ANGLES</td> <td>± .5°</td> </tr> </tbody> </table>	DIMENSIONS:	TOLERANCES UNLESS OTHERWISE SPECIFIED:	INCHES		0 PLC	± .005	1 PLC	± .004	2 PLC	± .003	3 PLC	± .002	4 PLC	± .001	ANGLES	± .5°	<table border="1"> <thead> <tr> <th>DATE</th> <th>BY</th> <th>APPD</th> <th>NAME</th> </tr> </thead> <tbody> <tr> <td>8-14-84</td> <td>M. CYRUS</td> <td></td> <td></td> </tr> <tr> <td>7-3-84</td> <td>N. JONES</td> <td></td> <td></td> </tr> <tr> <td>7-10-84</td> <td>J. GRAY</td> <td></td> <td></td> </tr> </tbody> </table>	DATE	BY	APPD	NAME	8-14-84	M. CYRUS			7-3-84	N. JONES			7-10-84	J. GRAY		
DIMENSIONS:	TOLERANCES UNLESS OTHERWISE SPECIFIED:																																
INCHES																																	
0 PLC	± .005																																
1 PLC	± .004																																
2 PLC	± .003																																
3 PLC	± .002																																
4 PLC	± .001																																
ANGLES	± .5°																																
DATE	BY	APPD	NAME																														
8-14-84	M. CYRUS																																
7-3-84	N. JONES																																
7-10-84	J. GRAY																																
<p>AMP Tyco Electronics Corporation Harrisburg, PA 17105</p>																																	
<p>SOCKET ASSY, SIP, 10 POS, DIPLOMATE DL</p>																																	
<p>SIZE: A1 CAGE CODE: 00779 DRAWING NO: 643642</p>	<p>RESTRICTED TO: K</p>																																

CUSTOMER DRAWING SCALE: 5:1 SHEET 1 OF 1 REV K